

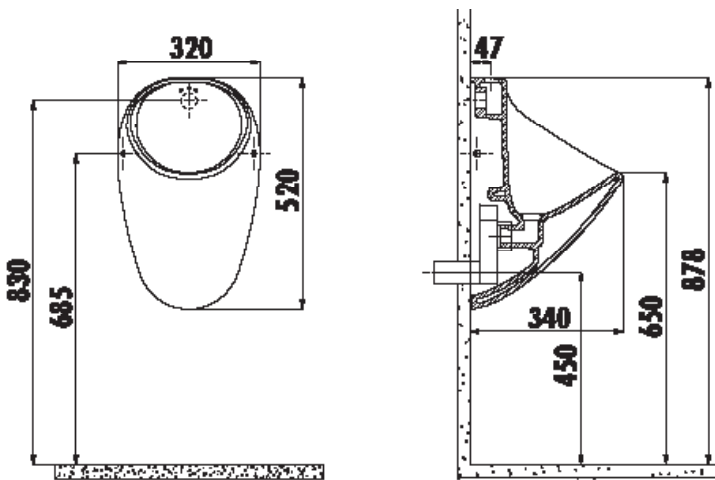
URINALS & URINALS SEPERATORS

Urinal



TP635-00CB00E-0000	Urinal (Inlet from top)
TP635-11CB00E-0000	Urinal (Siphonic)
Qty of Pallet:	24
Weight:	16,06kg

TECHNICAL DRAWING



SPECIFICATIONS