



SEDEF

Sedef Back to Wall Bidet

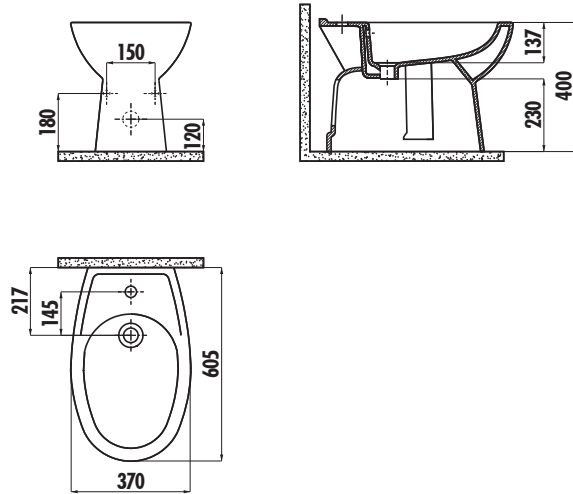
SD500-00CB00E-0000

Sedef Back to Wall Bidet

Qty of Pallet: Bidet 25

Weight: Bidet 22,98 kg

TECHNICAL DRAWING



SPECIFICATIONS

